

VERSALLES

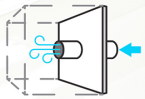


SILENCIOSA
NOISELESS
SILENCIOSA
SILENCIEUX
SILENZIOSA

POSIBILIDAD DE DESCONEXIÓN DE LA TURBINA.
POSSIBILITY OF TURNING OFF THE TURBINE.
POSSIBILIDADE DE DESCONEXÃO DA TURBINA.
POSSIBILITÉ DE DÉCONNECTER LA TURBINE.
POSSIBILITÀ DI DISCONNESSIONE DELLA TURBINA.



La excelencia en el fuego



TOMA DE AIRE EXTERIOR - MODELO ESTANCO-
OUTSIDE AIR INTAKE - HERMETIC MODEL-
TOMADA DE AR EXTERIOR - MODELO ESTANQUE-
PRESA D'ARIA ESTERIORE - MODELLO ERMETICO-
PRISE D'AIR EXTÉRIEURE - MODÈLE ÉTANCHE-



SDC



SCL



13



77



3,7



325



1x290



154



150



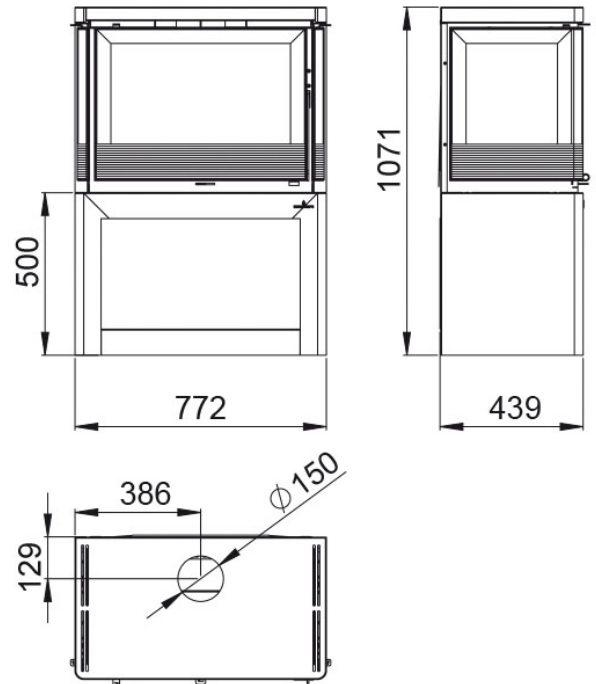
580x306x286



55

Features

- Double Combustion System
- Clean Glass System
- Heating power: 13kw
- Efficiency (%): 77%
- Consumption (kg/h): 3,7kg/h
- Heating capacity (m3): 325m3
- Cast-iron interior
- Manufactured in cast-iron and steel
- Forced ventilation (n° x m3): 1x325
- Weight (kg): 154kg
- Smoke exit tube diameter (mm): 150mm
- Useful chamber measures: 580x306x286mm
- Maximum logs size (cm): 55cm



Given the continued improvement of our products and improving our manufacturing process, size, aesthetics and product specifications are subject to change without prior notice from our company.

www.bronpi.com

